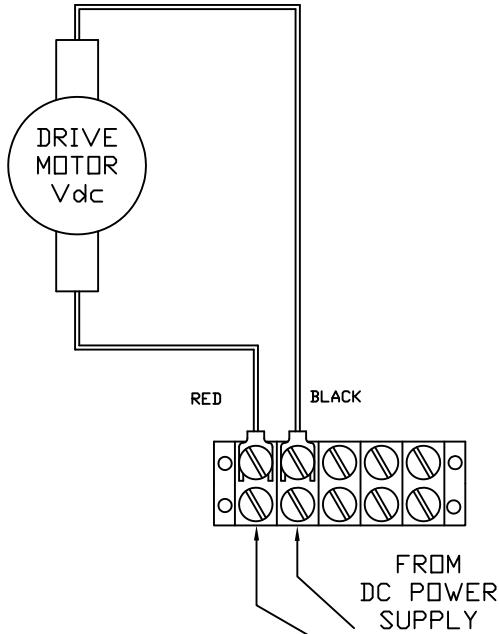
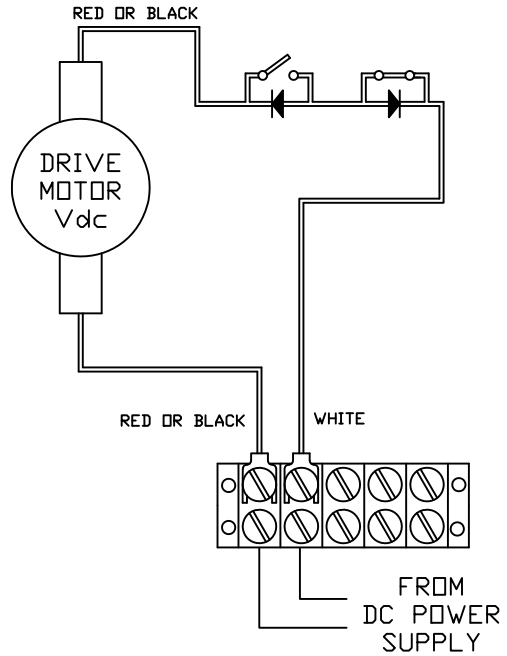


# MOTOR DIAGRAM

W/O LIMIT SWITCH



WITH LIMIT SWITCH

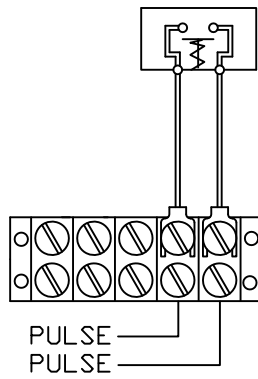


BALL SCREW ACTUATOR ~ RED MOTOR LEAD (+) = EXTEND  
 ACME SCREW ACTUATOR ~ RED MOTOR LEAD (-) = EXTEND

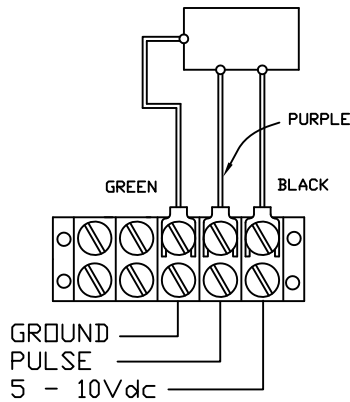
# SENSOR OPTIONS

POT RESISTANCE WITH RETRACTION:  
 BROWN TO GREEN - MINIMUM  
 BROWN TO WHITE - MAXIMUM

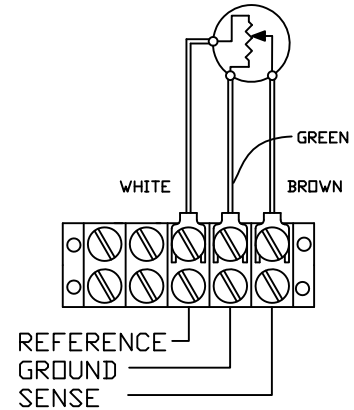
REED SWITCH



HALL EFFECT



10K POT



# 110Vac RECTIFIER

