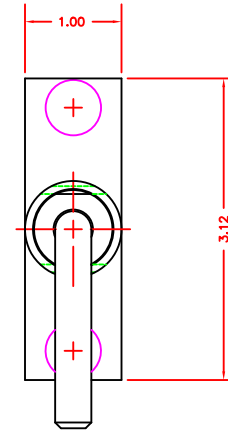
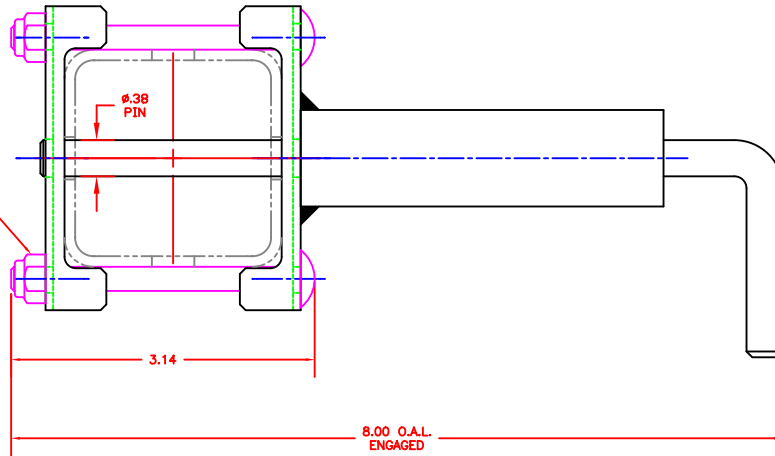
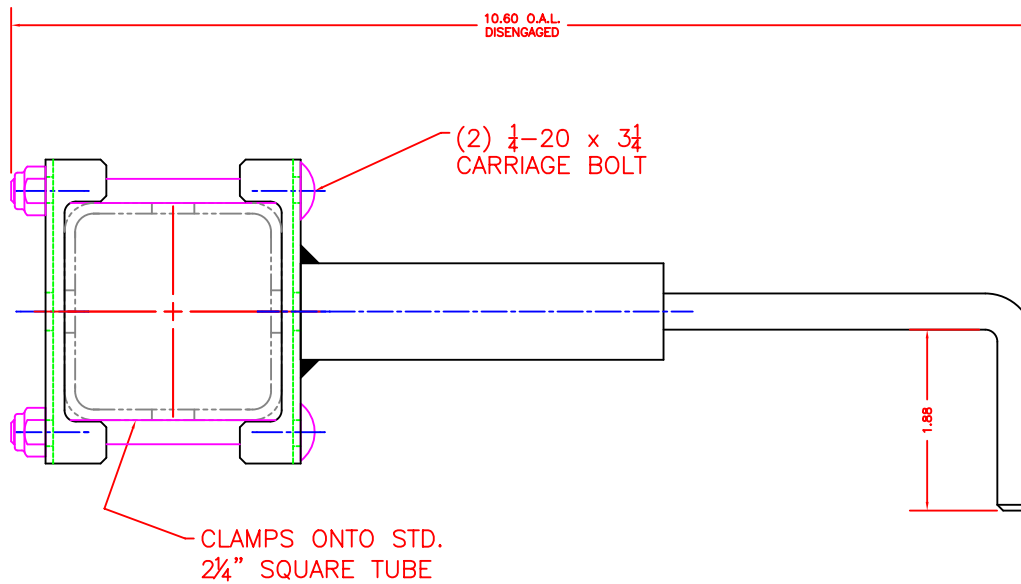


(2) 1/4-20
LOCKNUT



10.60 O.A.L.
DISENGAGED

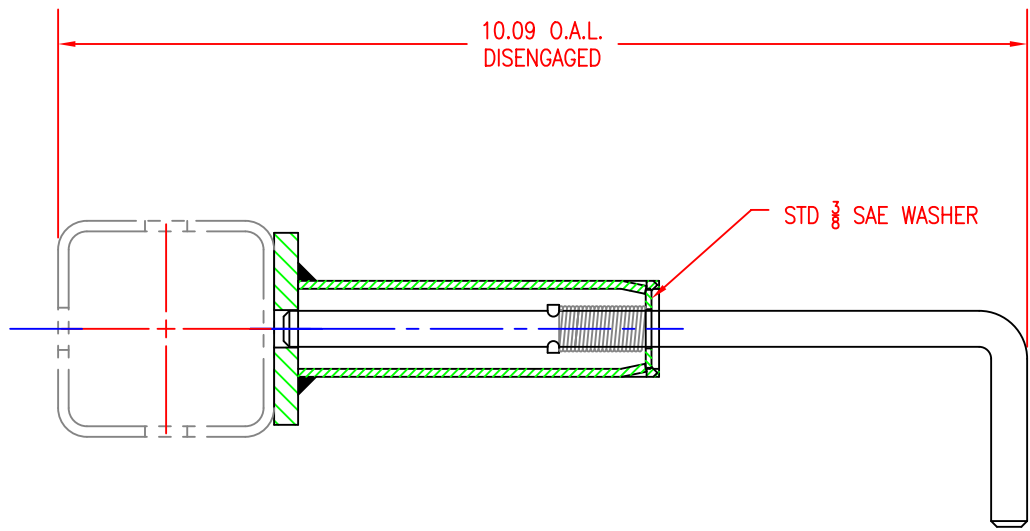
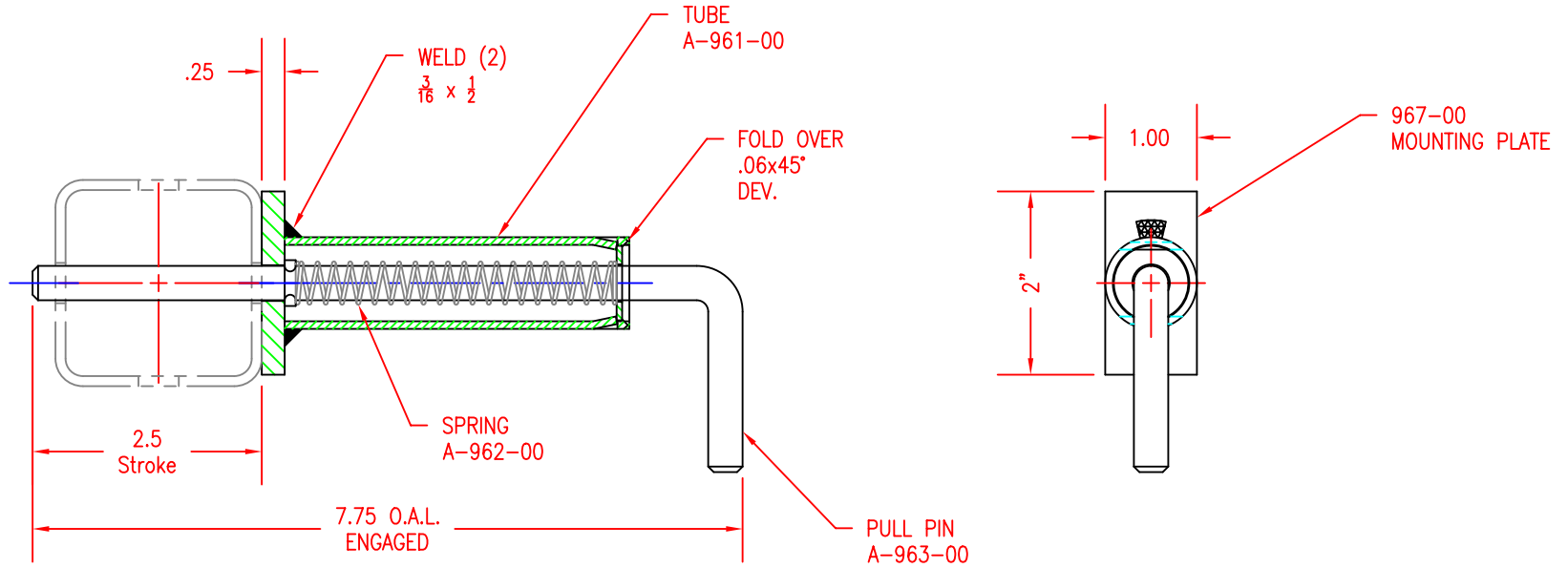
(2) 1/4-20 x 3 1/4
CARRIAGE BOLT



CLAMPS ONTO STD.
2 1/4" SQUARE TUBE

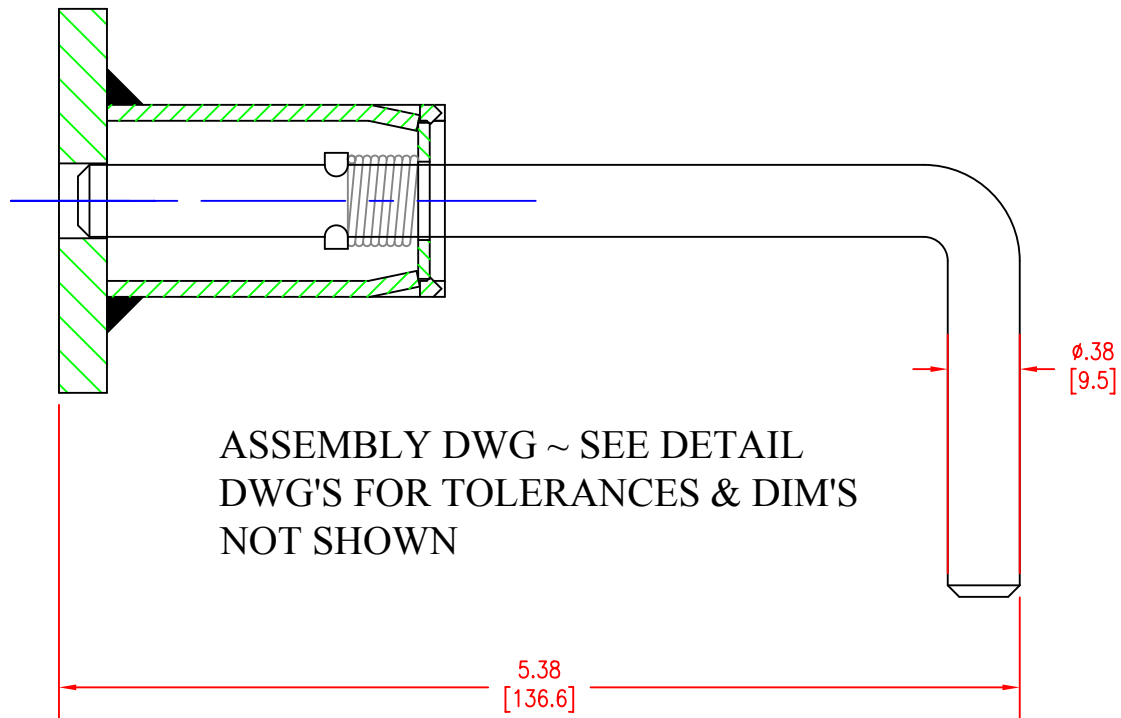
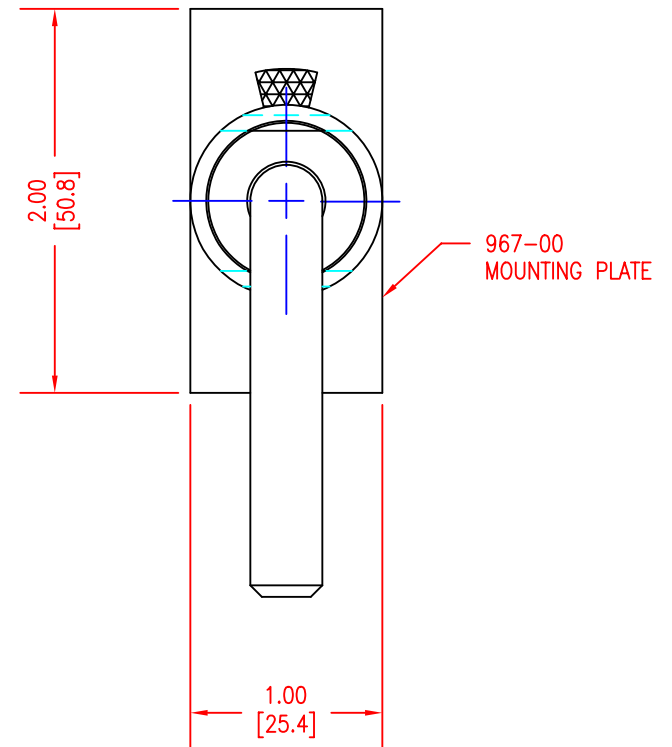
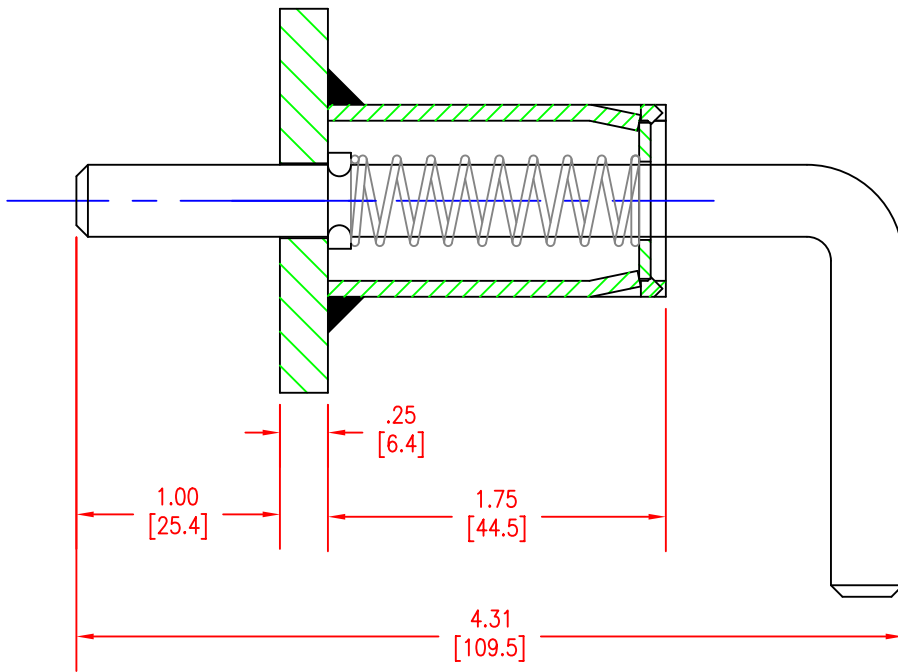
QUIK RELEASE PIN - CLAMP ON
FINISH ~ BRITE ZINC
RATED LOAD ~ 5000 lbs.

DATE MAY 2003	VENTURE MFG. CO.	
SCALE HALF	AA-960	00



QUIK-RELEASE PIN
WELD ON STYLE

DATE MAY 2003	VENTURE MFG. CO.	
SCALE HALF	AA-960	01



ASSEMBLY DWG ~ SEE DETAIL
DWG'S FOR TOLERANCES & DIM'S
NOT SHOWN

QUIK RELEASE PIN (ST)
WELD ON STYLE FOR
STORAGE TRAY

DATE OCT 2004	VENTURE MFG. CO.		
SCALE FULL	AA-960	02	X1