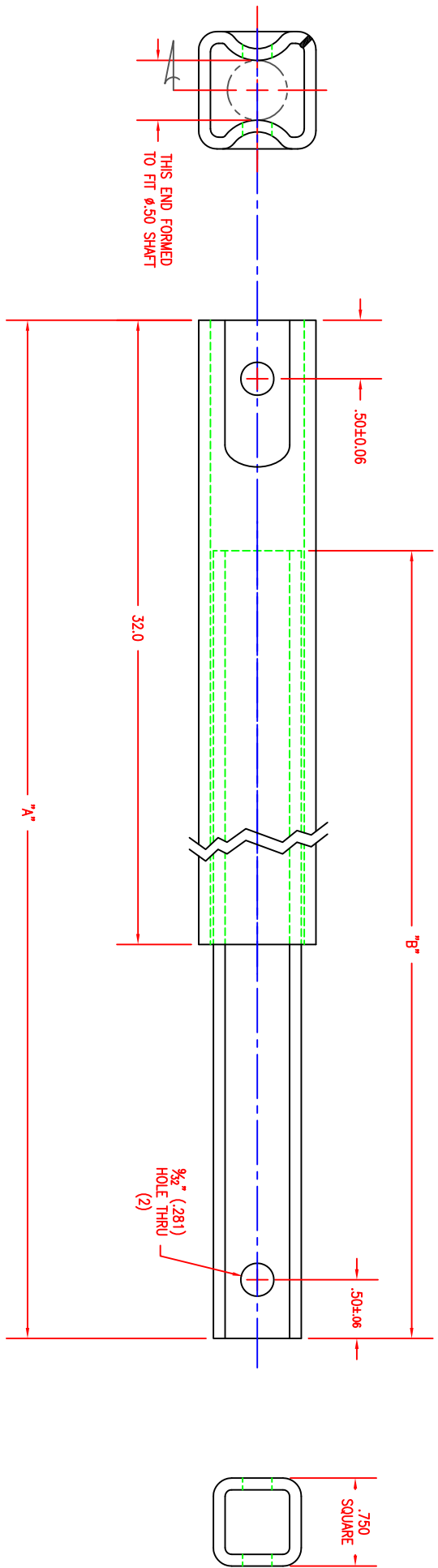


PART NO.	"A" O.A.L.	"B"
STD 950-10	MIN 43"	MAX 65"
EXT 950-11	56.5"	78.5"
		54.5"



CROSS DRIVE  
TUBE ASSEMBLY

DATE	APRIL 2004	SCALE	FULL
VENTURE MFG. CO.	950 CDK		A