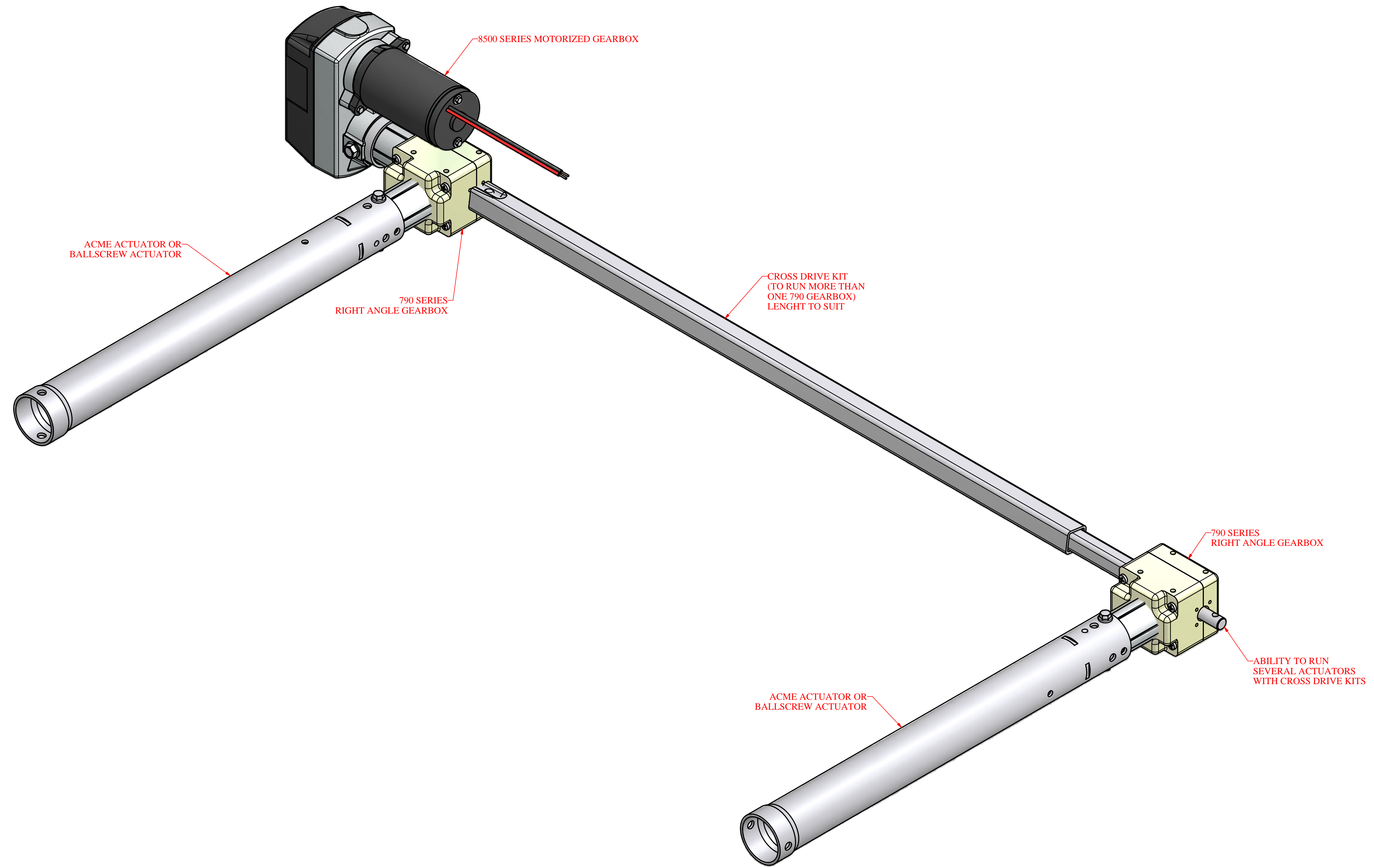


790 SERIES RIGHT ANGLE GEARBOX
 RIGHT ANGLE TORQUE CAPACITY ~ 150 in-lbs.
 THRU DRIVE TORQUE CAPACITY ~ 450 in-lbs.

DEC. TOL. U.O.S.
 .00 = ±.01
 .000 = ±.005

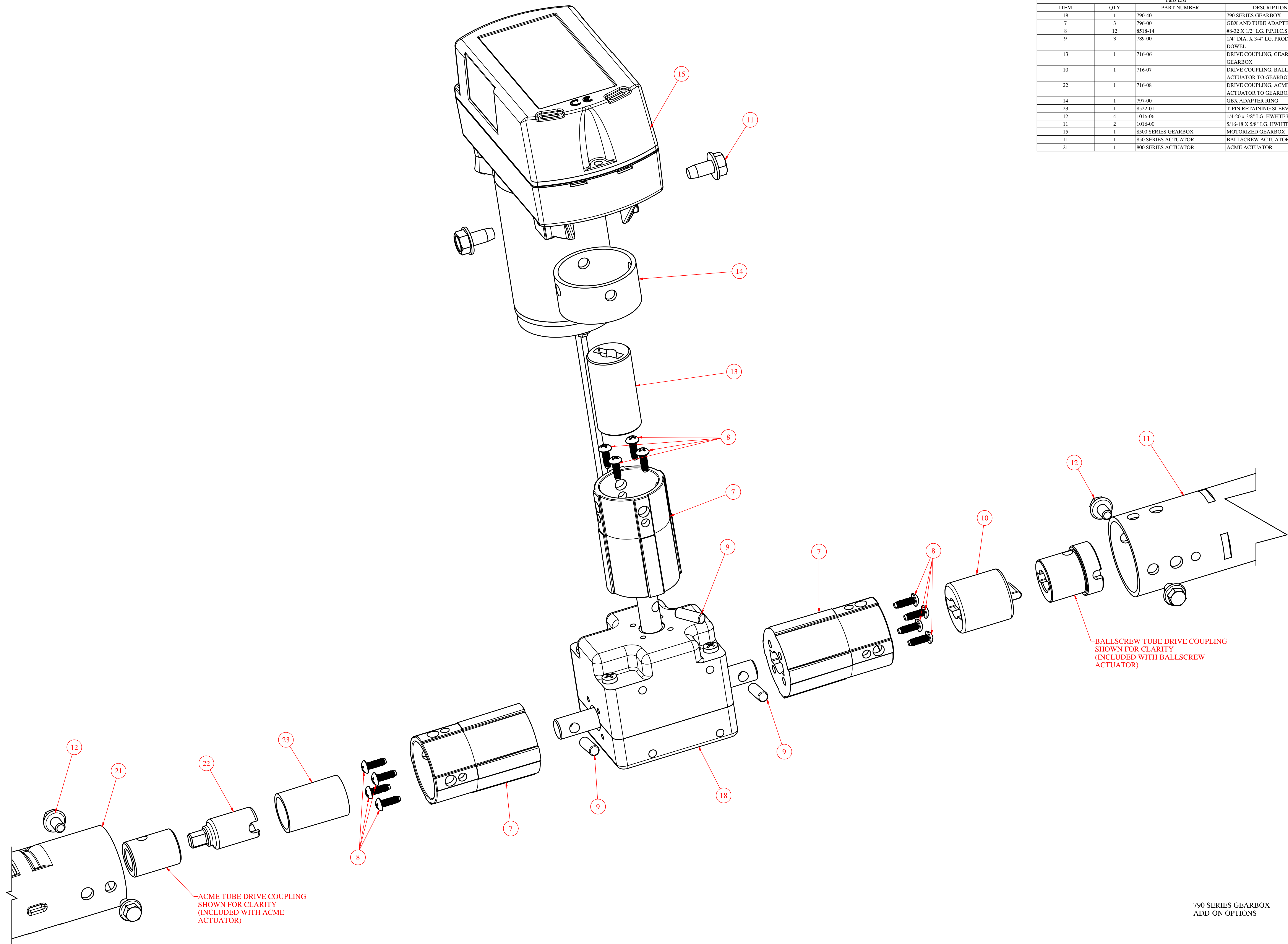
DATE 4/1/2008	VENTURE MFG. CO.
SCALE FULL	CP-790-00 A



EXAMPLE SHOWING DIFFERENT
POSSIBILITIES OF THE 790 GEARBOX
(MOTORIZED GEARBOX RUNNING TWO
ACTUATORS AND TWO
RIGHT ANGLE GEARBOXES)

790 SERIES GEARBOX
PICTORIAL VIEWS SHOWING
DIFFERENT CAPABILITIES
OF THE GEARBOX

Parts List			
ITEM	QTY	PART NUMBER	DESCRIPTION
18	1	790-40	790 SERIES GEARBOX
7	3	796-00	GBX AND TUBE ADAPTER
8	12	8518-14	#8-32 X 1/2" LG. P.P.H.C.S.
9	3	789-00	1/4" DIA. X 3/4" LG. PRODUCTION DOWEL
13	1	716-06	DRIVE COUPLING, GEARBOX TO GEARBOX
10	1	716-07	DRIVE COUPLING, BALLSCREW ACTUATOR TO GEARBOX
22	1	716-08	DRIVE COUPLING, ACME ACTUATOR TO GEARBOX
14	1	797-00	GBX ADAPTER RING
23	1	8522-01	T-PIN RETAINING SLEEVE
12	4	1016-06	1/4-20 X 3/8" LG. HWHTF ROLOK
11	2	1016-00	5/16-18 X 5/8" LG. HWHTF ROLOK
15	1	8500 SERIES GEARBOX	MOTORIZED GEARBOX
11	1	850 SERIES ACTUATOR	BALLSCREW ACTUATOR
21	1	800 SERIES ACTUATOR	ACME ACTUATOR



790 SERIES GEARBOX
ADD-ON OPTIONS

