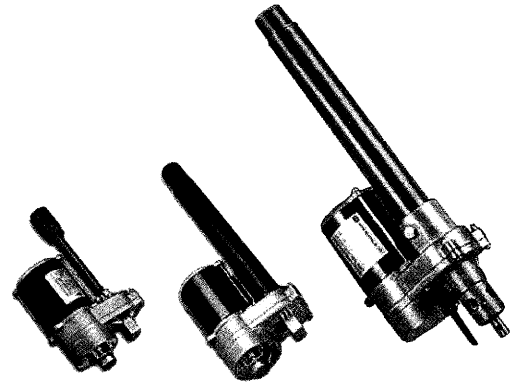


Linear actuators

SJ 25, 35, 45 series (AC-actuator)

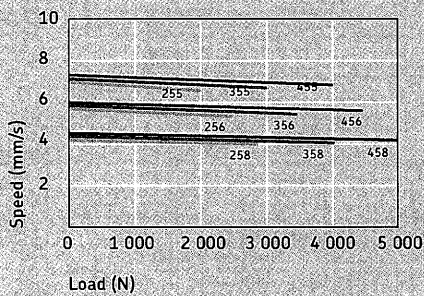
Features / Benefits

- Motor with thermal protection (+120±5 °C)
- Acme screw
- Self-locking
- Integrated limit switches
- Gear box (metal)
- Duty cycle 17%
- UL approved E128837 CSA certificate:
LR92531 (115 VAC), E226168 (230 VAC)

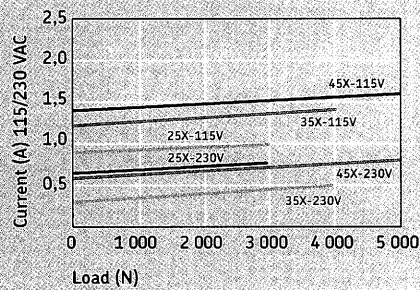


Performance diagram: (load versions - see type key)

Speed vs Load (force)



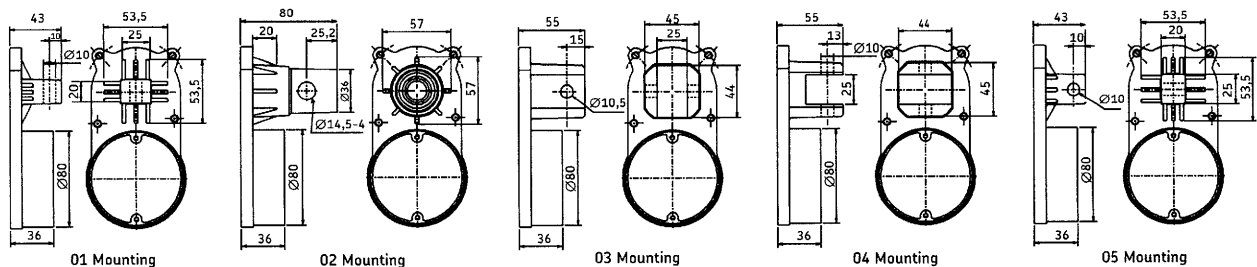
Current vs Load (force)



Type	Force		Max. speed		Stroke* (S)	Retr. length** (L)	Voltage	Protection class	Weight
	push N	pull N	no load mm/s	full load mm/s					
SJ 255	2 000	2 000	7,2	6,6	100-600	S + 190/200/215	115/230	N/A	4,0
SJ 256	2 500	2 500	6,0	5,5	100-600	S + 190/200/215	115/230	N/A	4,0
SJ 258	3 000	3 000	4,5	4,0	100-600	S + 190/200/215	115/230	N/A	4,0
SJ 355	3 000	3 000	7,2	6,6	100-600	S + 190/200/215	115/230	N/A	4,5
SJ 356	3 500	3 500	6,0	5,5	100-600	S + 190/200/215	115/230	N/A	4,5
SJ 358	4 000	4 000	4,5	4,0	100-600	S + 190/200/215	115/230	N/A	4,5
SJ 455	4 000	4 000	7,2	6,6	100-600	S + 190/200/215	115/230	N/A	5,0
SJ 456	4 500	4 500	6,0	5,5	100-600	S + 190/200/215	115/230	N/A	5,0
SJ 458	5 000	5 000	4,5	4,0	100-600	S + 190/200/215	115/230	N/A	5,0

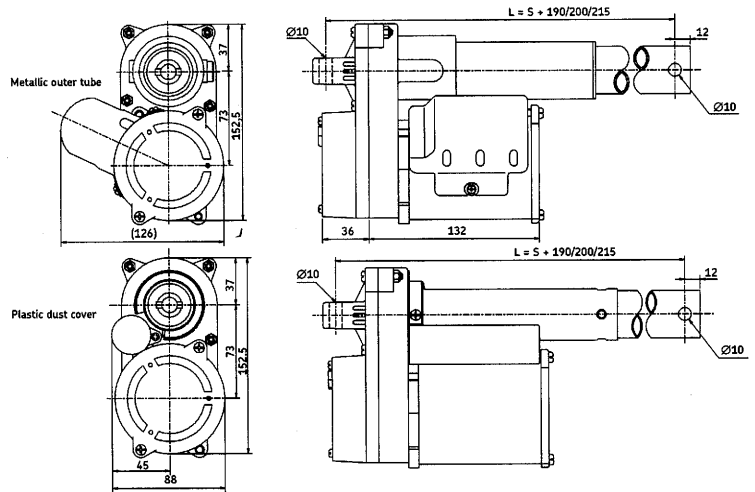
* Max. stroke for the tube version "1" is 250 mm

** For clevis mounting: "01" and "05" L=S+190 mm, "02" L=S+215 mm, "03" and "04" L=S+200 mm.



Linear actuators

SJ 25, 35, 45 series



Type	S	J	-	-	-	-	-	-	-	-	-	-	-	-
Load (N) / Speed (mm/s)														
2 000 / 7,2														255
2 500 / 6,0														256
3 000 / 4,5														258
3 000 / 7,2														355
3 500 / 6,0														356
4 000 / 4,5														358
4 000 / 7,2														455
4 500 / 6,0														456
5 000 / 4,5														458
Voltage														
115 VAC														115
230 VAC														230
Tube type														
With outer and inner tube														B
Inner tube with plastic dust protection cover														I
Inner tube only														Y
Mounting														
Square mounting														01
Tube mounting with 4 holes														02
Clevis mounting														03
Clevis mounting														04
Square mounting														05
Cable connector														
No connector														N
1x4C to control box														C
1x3C to AC plug, 1x3C to pendant														P
With one motor controller														L
Feedback														
Potentiometer														P
No sensor														N
Stroke														
100 mm														100
150 mm														150
200 mm														200
250 mm (250 mm is also the maximum stroke for tube version "I")*														250
300 mm														300
350 mm														350
400 mm														400
450 mm														450
500 mm														500
550 mm														550
600 mm														600
Customized cable length options:														
Specify requested cable length in dm														XX