

Venture Mfg. Co.

Motorized Tongue Jack Owners Manual

1300 Series, Acme Drive

POWER OPERATING INSTRUCTIONS

On a trailer where a 12VDC power supply is available follow the same procedures as “MANUAL OPERATING INSTRUCTIONS” except, operate the switch control to EXT (extend) or RET (retract) as indicated.

Motorized Tongue Jack is equipped with an overload clutch and a 30 AMP fuse. If fuse blows during normal operation replace fuse (located under the lid) with standard 30 AMP ATO type fuse. Verify battery is fully charged before attempting further operation. If clutch slips it may indicate you have reached the extend or retract limits of the jack OR the trailer weight has exceeded the max rated load of the Tongue Jack. Items stored in/on the trailer can greatly affect the weight distributed to the Tongue Jack. If the clutch consistently slips during normal operation, redistribute items stored in the trailer.

Courtesy light feature is activated by the on/off switch.

★ ★ CAUTION ★ ★

- When clutch noise occurs, release the switch immediately. The clutch is designed as an overload protection. Normal operation should not result in clutch slippage. The jack should not be routinely operated until the clutch slips. This may cause excessive wear resulting in clutch failure.
- The courtesy light, if left on for an extended period of time will drain your battery.
- The Tongue Jack should always be used in the vertical jacking position.

OTHER INFORMATION

- Tongue Jack capacities and specifications are provided on page 2.
- Venture Motorized Tongue Jack is lifetime lubricated and should never require maintenance.

LIMITED WARRANTY

- Venture Mfg. Co. produces and warrants Motorized Tongue Jack for Lippert Components, Inc. (LCI), the supplier of the trailer frame and many related components. LCI has a published component limited warranty with your trailer manufacturer.
- Venture warrants this landing gear system to LCI within the limits LCI has established with your trailer manufacturer.
- To make a claim, please contact LCI Customer Service Dept. at (1-866-524-7821). Be prepared to identify product type, trailer serial number and manufacturer’s name and the serial number of the tongue jack (located under the lid).
- Please retain your purchase receipt to verify date of purchase. This must be produced to honor warranty claim.

Venture Mfg. Co.
3636 Dayton Park Drive
Dayton, OH 45414

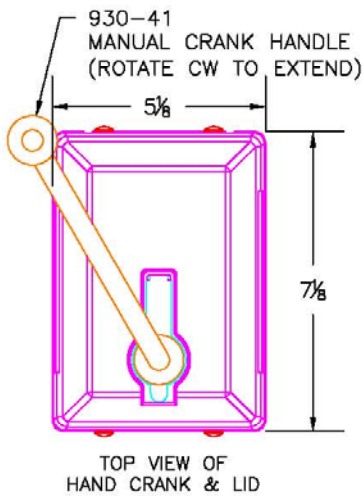
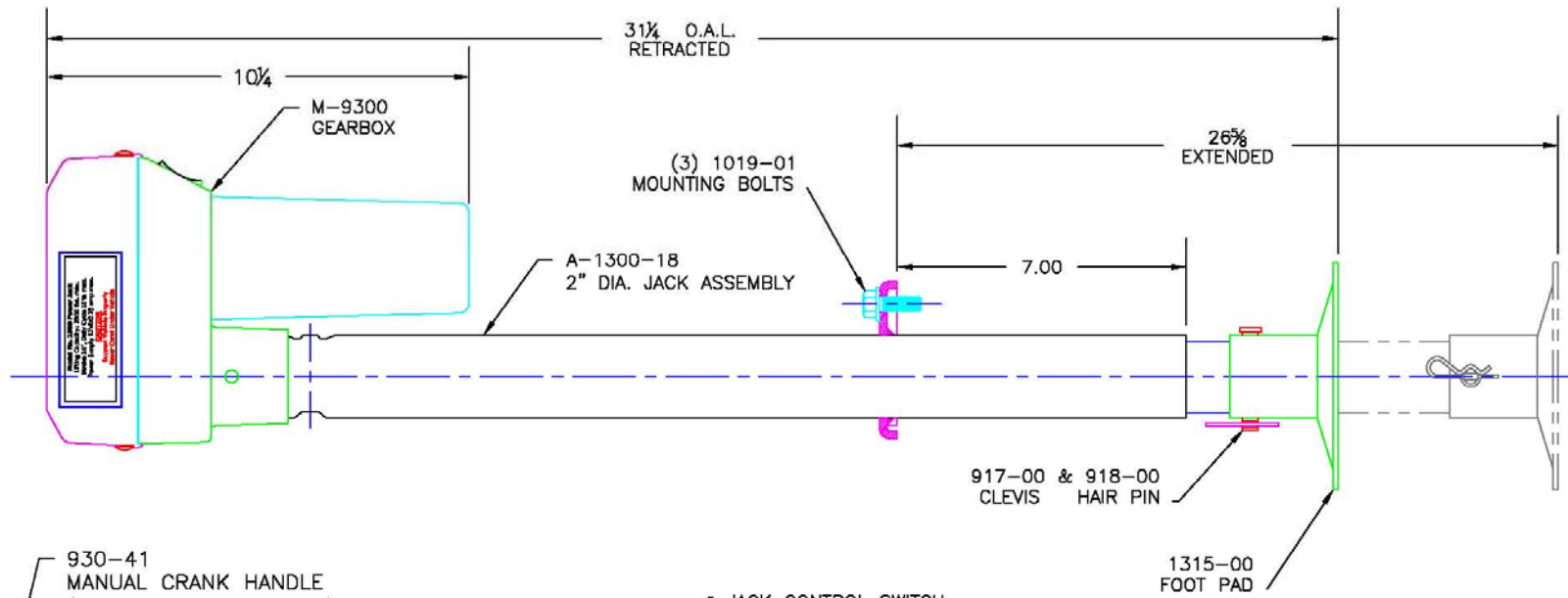
SAFETY WARNINGS

- Read, understand and follow all instructions before installing and/or using product. NEVER allow anyone unfamiliar with the operating instructions to use this product.
- Read, understand and follow all instructions provided by the manufacturer of the trailer this tongue jack is installed on. Venture Mfg. Co. is not responsible for improper installation, use, or maintenance of this product.
- Never attempt to lift or level without having the foot pad properly installed.
- When cranking jack or coupling trailer, secure trailer from rolling.
- This tongue jack is designed for vertical loading. Excessive side forces must be avoided.
- Owner or operator must never position any part of their body under any portion of the jack or the load being supported or allow anyone else to be positioned under the load being supported. Disregard could cause property damage and/or serious bodily injury.
- **Never drop trailer off the hitch ball.**
- Never exceed maximum rated capacity. See page 2.
- Make certain the foot pad retaining pin is fully inserted through both sides of the inner tube before using the tongue jack.
- Do not use this tongue jack to lift trailer for servicing or tire changes.
- Retract tongue jack fully before moving the trailer.
- Failure to follow these warnings and instructions can result in property damage and/or serious bodily injury.

MANUAL OPERATING INSTRUCTIONS

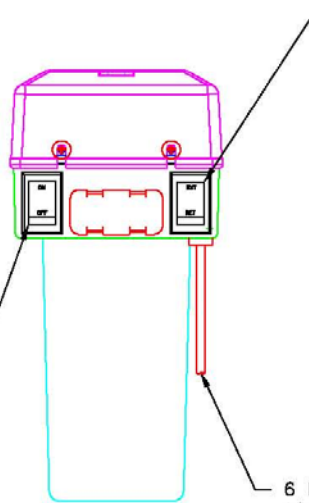
For manual operation of Motorized Tongue Jack when power is not available, proceed as follows:

- **To Extend:** (1) Chock the wheels on the trailer. (2) Insure foot pad is properly in place and pins are fully inserted and secure. (3) Check the ground below the foot pad and insure the jacking surface is firm and level. (4) Lift the rubber plug on the top of the gearbox exposing the manual drive shaft. (5) Insert the manual crank handle and crank clockwise until the trailer is fully supported. Continue extending tongue jack until the trailer’s weight is completely removed from the hitch. (6) When there is sufficient clearance between the tow ball and hitch, move tow vehicle clear of trailer. Never drop trailer off the hitch ball. (7) Lower trailer until it is level. (8) Remove and store crank handle. Replace the rubber plug
- **To Retract:** Turn crank handle counter-clockwise to desired position. Be certain the tongue jack inner-tube is fully retracted before moving vehicle. Remove and store the crank handle. Replace the rubber plug.

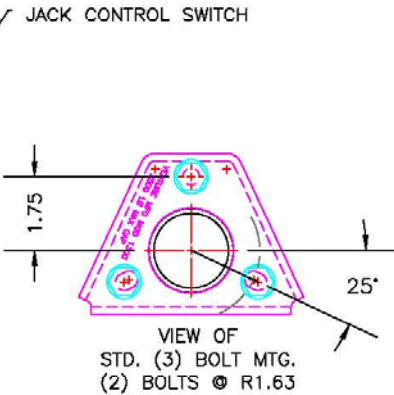


TOP VIEW OF
HAND CRANK & LID

COURTESY LIGHT SWITCH
(BULB: #912 AUTOMOTIVE)



FRONT VIEW OF
SWITCHES



VIEW OF
STD. (3) BOLT MTG.
(2) BOLTS @ R1.63

6 FT. RED POWER CORD
10 AWG UL1015

30 AMP FUSE PROTECTED
(STD ATO TYPE UNDER LID)

- NOTE: PKG. SUPPLIED WITH UNIT CONTAINS
- (1) 918-00 HAIR PIN
 - (1) 917-00 CLEVIS PIN
 - (3) 1019-01 MTG. BOLTS (3/8-16 x 1)
 - (1) 930-41 MANUAL CRANK HANDLE
 - (1) 1300-15 FOOT PAD

MOTORIZED TONGUE JACK
BASIC DATA ASSEMBLY DRAWING
MODEL NO. 1300
2500 Lb. RATED LOAD
12 VDC; MAX 30 AMPS
WT. ~ 22 lbs.

DATE JUNE 2005	VENTURE MFG. CO.		
SCALE 1/4	RVTJ-1300		