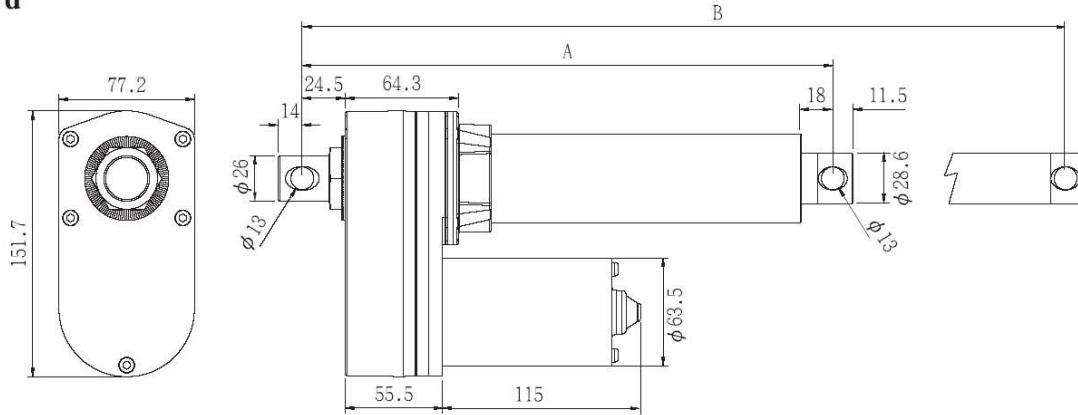



VID8-A

Acme Actuator

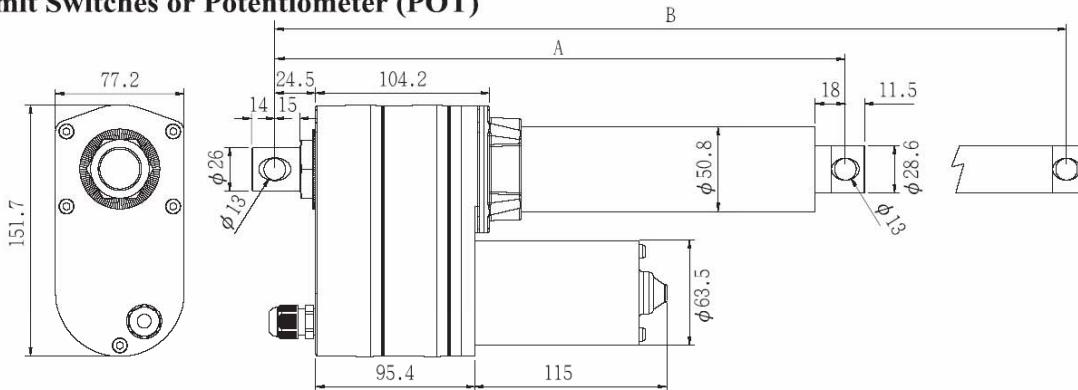
	4"	6"	8"	12"	18"	24"
						
Stroke(± 5 mm)	102 mm	152 mm	203 mm	305mm	457mm	610mm
Retracted Length(A ± 3 mm)	260 mm	311 mm	362 mm	464mm	691mm	844mm
Extended Length(B ± 3 mm)	362 mm	464 mm	566 mm	770mm	1150mm	1456mm

Standard

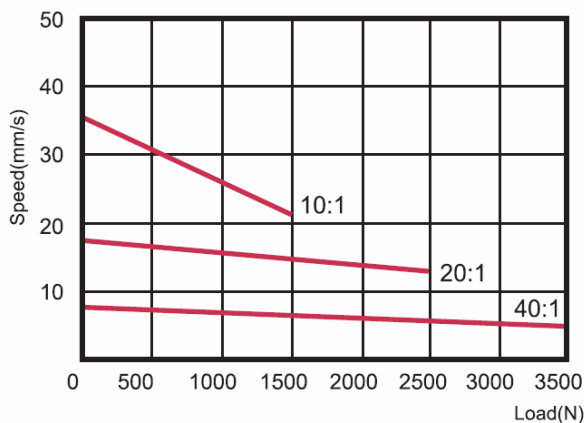


	4"	6"	8"	12"	18"	24"
						
Stroke(± 5 mm)	102 mm	152 mm	203 mm	305mm	457mm	610mm
Retracted Length(A ± 3 mm)	300 mm	351 mm	402 mm	504mm	731mm	884mm
Extended Length(B ± 3 mm)	402 mm	504 mm	606 mm	810mm	1190mm	1496mm

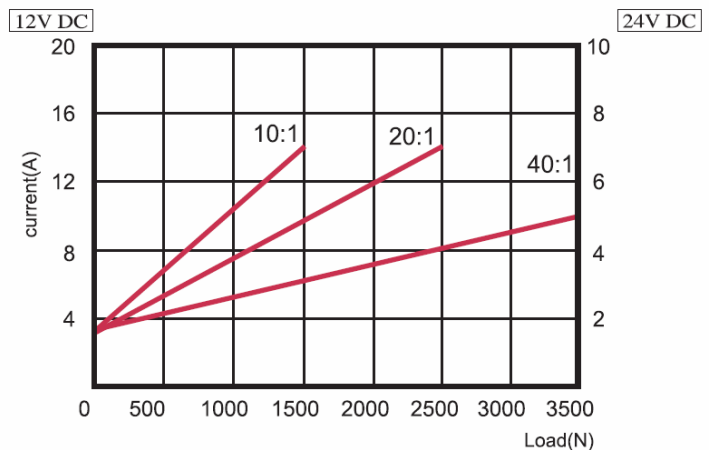
With Limit Switches or Potentiometer (POT)



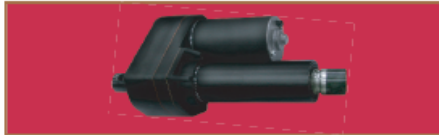
Speed vs Load



Current vs Load

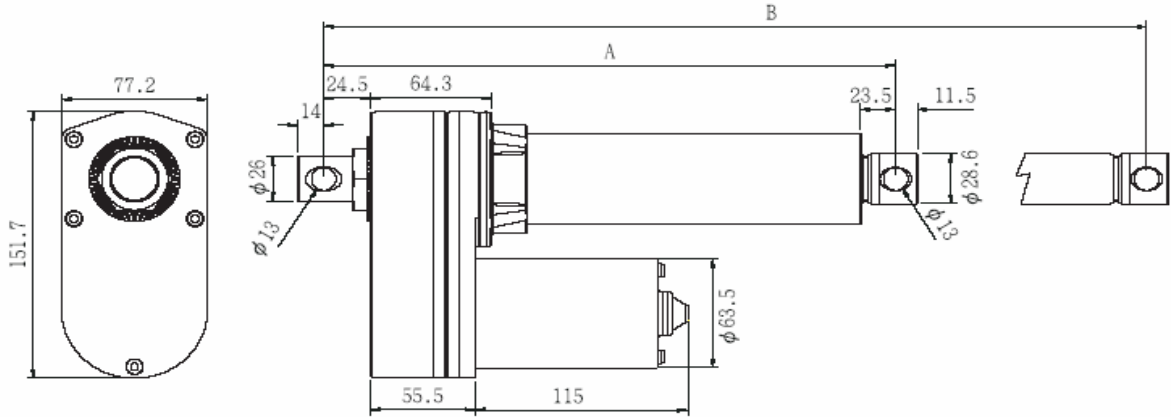


VID8-B Ballscrew Actuator



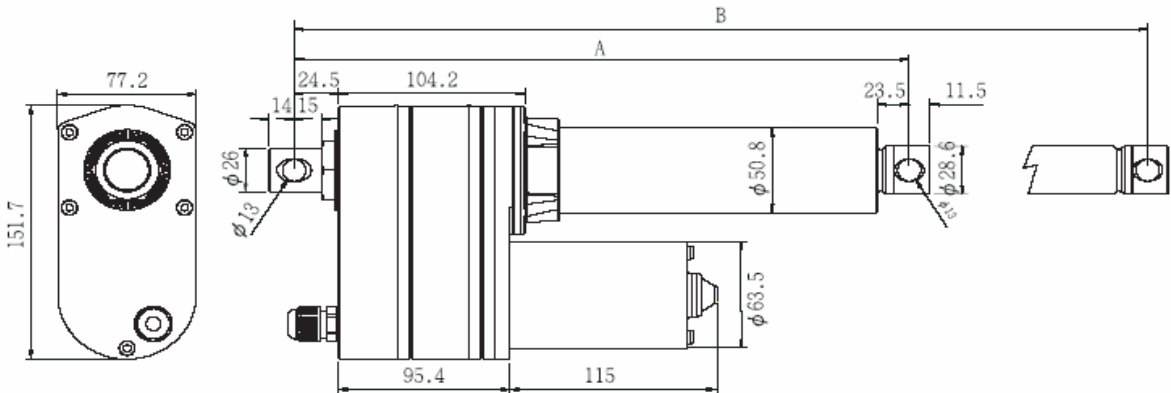
Stroke($\pm 5\text{mm}$)	84 mm	135 mm	186 mm	288mm	457mm	610mm
Retracted Length(A $\pm 3\text{mm}$)	306 mm	357 mm	408 mm	510mm	737mm	890mm
Extended Length(B $\pm 3\text{mm}$)	390 mm	492 mm	594 mm	798mm	1196mm	1502mm

Standard

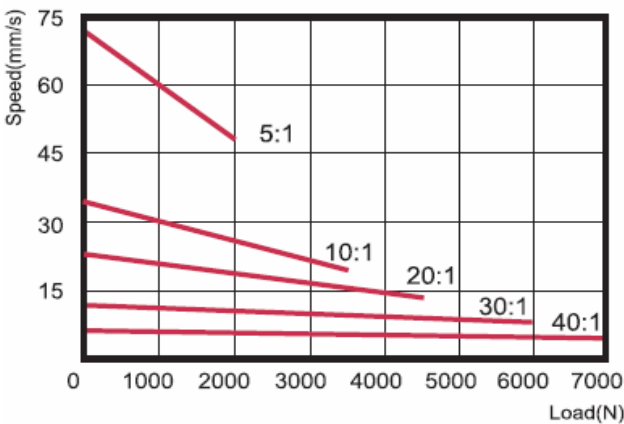


Stroke($\pm 5\text{mm}$)	84 mm	135 mm	186 mm	288mm	457mm	610mm
Retracted Length(A $\pm 3\text{mm}$)	346 mm	397 mm	448 mm	550mm	777mm	930mm
Extended Length(B $\pm 3\text{mm}$)	430 mm	532 mm	634 mm	838mm	1236mm	1542mm

With Limit Switches or Potentiometer (POT)



Speed vs Load



Current vs Load

