

Venture Mfg. Co.

5th Wheel Landing Gear Owners Manual

Heavy Duty 900 Series, Acme Drive

POWER OPERATING INSTRUCTIONS

On a trailer equipped with a Venture Mfg. Co. 12VDC Power Kit follow the same procedures as “MANUAL OPERATING INSTRUCTIONS” except, operate the switch control to EXT (extend) or RET (retract) as indicated.

Power Kit is equipped with an overload clutch and a 30 AMP fuse. If fuse blows during normal operation replace fuse (located on the pink wire) with standard 30 AMP AGC type fuse. Verify battery is fully charged before attempting further operation. If clutch slips it may indicate you have reached the extend or retract limits of the jacks OR the trailer weight has exceeded the max rated load of the Landing Gear system. Items stored inside/on the trailer can greatly affect the weight applied to Landing Gear system. If clutch consistently slips during normal operation, redistribute items stored in the trailer.

★ ★ CAUTION ★ ★

- When clutch noise occurs, release the switch. Failure to do so may also destroy the clutch, in which case the entire power kit will have to be replaced.
- Potential damage to the trailer frame may occur if legs or power kits are operated unevenly. Front of trailer must remain horizontal.

OTHER INFORMATION

- Landing gear and Power Kit capacities and specifications are provided on page 2.
- Venture landing gear is lifetime lubricated and should never require maintenance.

LIMITED WARRANTY

- Venture Mfg. Co. produces Landing Gear Systems for many OEM manufacturer. If acquired thru one of those OEM manufacturers all warranties are per their published warranty policies.
- Those products purchased direct from Venture Mfg. Co. are warranted against material defects and workmanship for a period of (1) one year after retail purchase. This warranty is limited to parts only and does not cover labor. Parts will be repaired or replaced at the company’s discretion.
- Please retain your purchase receipt as this will be required to verify purchase date.

Venture Mfg. Co.
3636 Dayton Park Drive
Dayton, OH 45414
866-365-1957

SAFETY WARNINGS

- Read, understand and follow all instructions before installing and using product. NEVER allow anyone unfamiliar with the operating instructions to use this product.
- Read, understand and follow all instructions provided by the manufacturer of the RV this landing gear system is installed on. Venture Mfg. Co. is not responsible for improper installation, use, or maintenance of this product.
- Never attempt to lift or level without having both foot plates properly installed.
- When cranking jack or coupling trailer, secure trailer from rolling.
- These landing gear jacks are designed for vertical loading. Excessive side forces must be avoided.
- Never attempt to adjust the drop legs when the landing gear jacks are under load.
- Owner or operator must never position any part of their body under any portion of the jack or the load being supported or allow anyone else to be positioned under the load being supported. Disregard could cause property damage and/or serious bodily injury.
- **Never drop trailer off the hitch.**
- Never exceed maximum rated capacity. See page 2.
- Make certain the drop leg safety retaining pins are fully inserted through both sides of the inner tube and the drop leg tube before using the landing gear jacks.
- Do not use these landing gear jacks to lift trailer for servicing or tire changes.
- Retract jack legs and drop legs fully before moving the trailer.
- Failure to follow these warnings and instructions can result in property damage and/or serious bodily injury.

MANUAL OPERATING INSTRUCTIONS

For manual operation of fifth wheel landing gear on a trailer not equipped with a 12VDC power kit, or if power is not available, proceed as follows:

- **Drop Leg Operation:** Disengage drop leg safety retaining pin to lower or raise foot plate to desired position, return the safety retaining pin making sure it is fully inserted through both the inner tube and the drop leg tube before using the jack.
- **To Extend:** (1) Attach the manual crank handle and crank until the inner tube is halfway to the ground. (2) Remove the safety retaining pin from the drop leg tube. Let the drop tube fall to the ground and re-pin in the nearest adjustment hole. (3) Continue extending landing legs until pin box disengages from the hitch and the trailer’s weight is completely removed from the hitch. (4) When there is sufficient clearance between the pin box and hitch, move tow vehicle clear of trailer. Never drop trailer off the hitch. (5) Lower trailer until it is level. (6) Remove and store crank handle.
- **To Retract:** Perform “To Extend” instructions in reverse. Be certain the landing gear legs are fully retracted; drop legs are re-pinned in the fully retracted position; and foot plate is higher than the lowest point of the trailer to prevent dragging. Remove and store the crank handle.

CAPACITY:** DO NOT EXCEED THESE CAPACITIES

Manual Crank:

Dynamic8,000 lbs. system, 4,000 per leg
 Static16,000 lbs. system, 8,000 lbs. per leg

***Single Power Kit:**

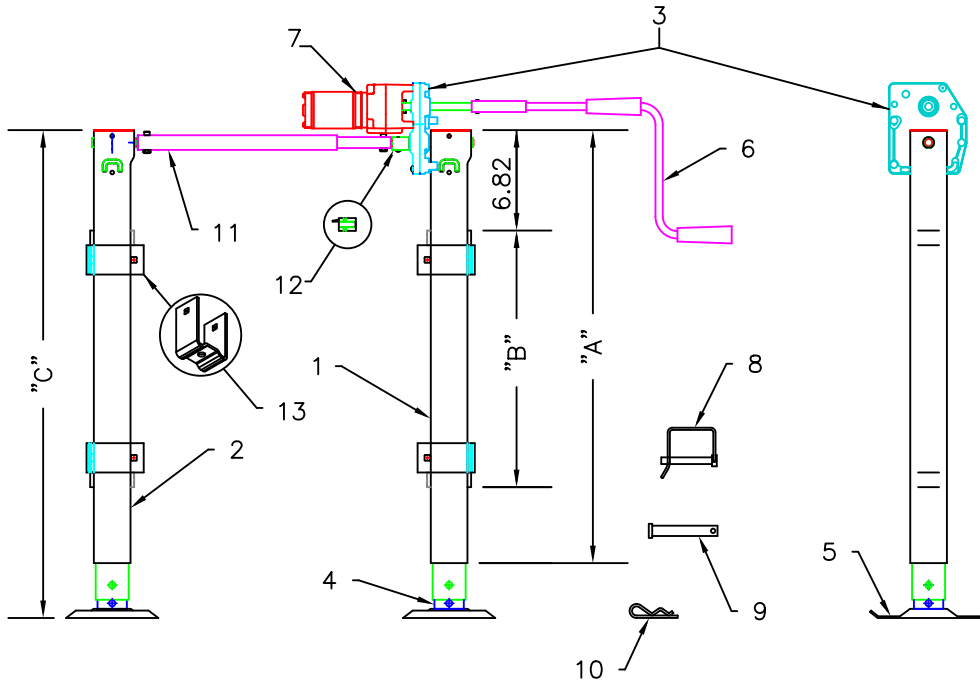
Dynamic5,000 lbs. system, 2,500 per leg
 Duty Cycle10%

***Dual Power Kit:**

Dynamic8,000 lbs. system, 4,000 per leg
 Duty Cycle10%

*** UL Listed Marine Ignition Protected**

**** Note: Ratings apply to components supplied by Venture Mfg. Co. only. It is the customer's responsibility to ensure frame and mounting structures are adequate.**



System Specifications:

Stroke ~ 20 inches
 Drop Leg Adjustment ~ 16 inches
 Manual Crank torque w/o Power Kit @ rated load ~ 145 in. lbs.
 Single Power Kit Amps @ rated load ~ 30*
 Speed @ rated load ~ 2.5 in./min.
 Dual Power Kit Amps @ rated load ~ 24* ea. Power Kit
 Speed @ rated load ~ 3.0 in./min.

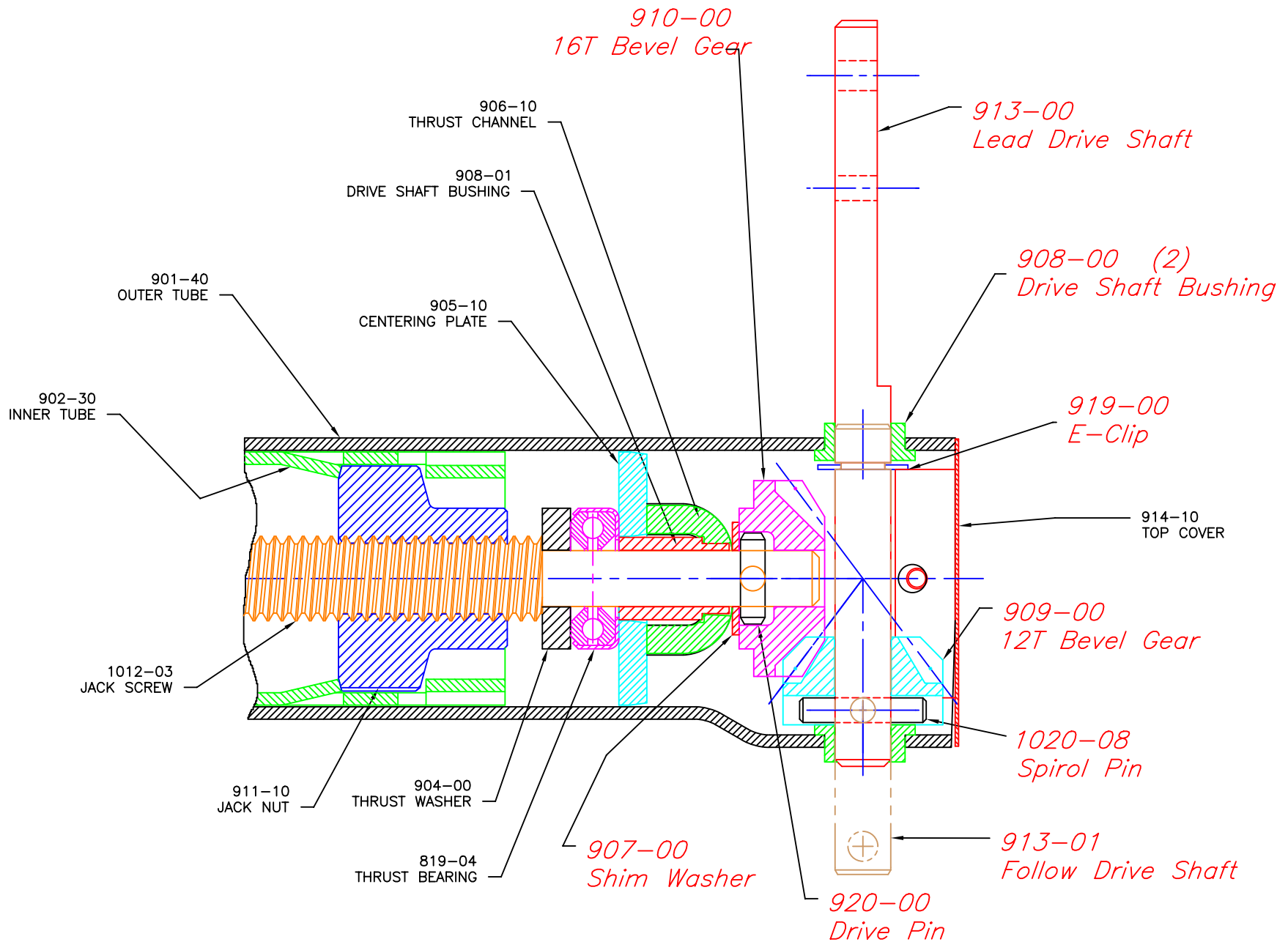
	"A"	"B"	"C"
STD.	29.50	17.50	33.63
EXT.	33.50	21.50	37.63
CARR	33.50	18.25	37.63

* Amp specs. are typical with 12vdc applied at the motor and may vary depending on application, gauge vs. length of wire run, and state of battery charge.

VENTURE MFG. CO. SYSTEM SELECTION GUIDE				
LCI	Part No	ITEM NO.	DESCRIPTION	DETAIL NO.
	135654	900-40	STD IM SYSTEM	1 THRU 10
	145165	900-40D	STD DUAL IM SYSTEM	1 THRU 10
	139655	900-41	HD IM SYSTEM	1 THRU 10
	142896	900-42	STD OM SYSTEM	1 THRU 10
		900-43	HD OM SYSTEM	1 THRU 10
	135655	900-44	STD EXT. IM SYSTEM	1 THRU 10
	138376	900-44C	Spec. Carriage EXT. IM SYS	1 THRU 10
	???	900-45	HD EXT. IM SYSTEM	1 THRU 10
	146603	900-46	STD EXT. OM SYSTEM	1 THRU 10
		900-47	HD EXT. OM SYSTEM	1 THRU 10
		900-50	STD UNIV SYSTEM	1 THRU 10
		900-51	HD UNIV SYSTEM	1 THRU 10
		900-52	STD EXT. UNIV SYSTEM	1 THRU 10
		900-53	HD EXT. UNIV SYSTEM	1 THRU 10

COMPONENT SELECTION GUIDE			
119102	**900-40R	IM LEAD LEG	1
122533	900-40R OM	OM LEAD LEG	1
191101	**900-40L	OM FOLLOW LEG	2
122532	900-40L OM	OM FOLLOW LEG	2
	940-40	3:1 REDUCTION BOX	3
	903-30	STD DROP LEG	4
	903-31	HD DROP LEG	4
	915-01	HD FOOT PLATE	5
119226	930-40	MANUAL CRANK HANDLE	6
119878	9000-70	SINGLE POWER KIT W/ HARNESS	7
138473	9030-40	WIRE HARNESS FOR SGL. PK	NOT SHOWN
	9000-71	DUAL POWER KIT W/ HARNESS	NOT SHOWN
	9030-41	WIRE HARNESS FOR DUAL PK	NOT SHOWN
142178	9000-40	POWER KIT GBX ONLY	7
	916-00	SAFETY SNAP PIN	8
	917-00	CLEVIS PIN	9
	918-00	HAIR PIN COTTER PIN	10
	950-30	CROSS DRIVE KIT	11
	943-00	REDUCTION BOX RETAINER	12
	953-10	MOUNTING BRACKET	13

IM = INSIDE MOUNT
 OM = OUTSIDE MOUNT
 STD = STANDARD DROP LEG W/ .12 WALL
 HD = HEAVY DUTY DROP LEG W/ .18 WALL
 EXT = INNER AND OUTER TUBE 4" LONGER (SEE CHART)
 UNIV = UNIVERSAL LEGS CAN BE USED FOR IM OR OM APPLICATIONS
 ** SPECIFY EXT, HD, IM, OM, OR UNIV



REBUILD KITS INCLUDE ALL** ITEMS LISTED IN "RED"

**

999-00 INCLUDES LEAD DRIVE SHAFT 913-00

999-01 INCLUDES FOLLOW DRIVE SHAFT 913-01

DATE JULY 2004	VENTURE MFG. CO.	
SCALE FULL	LG PARTS EXPLOSION	